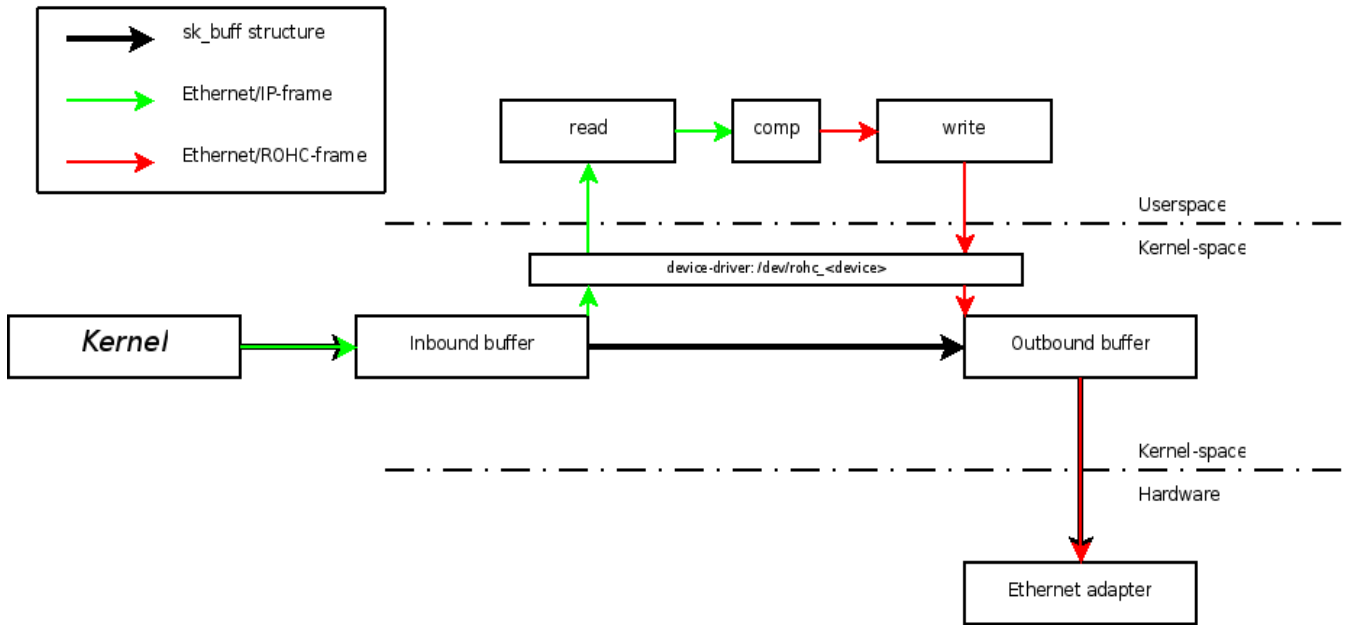


Outbound frames



Inbound frames

